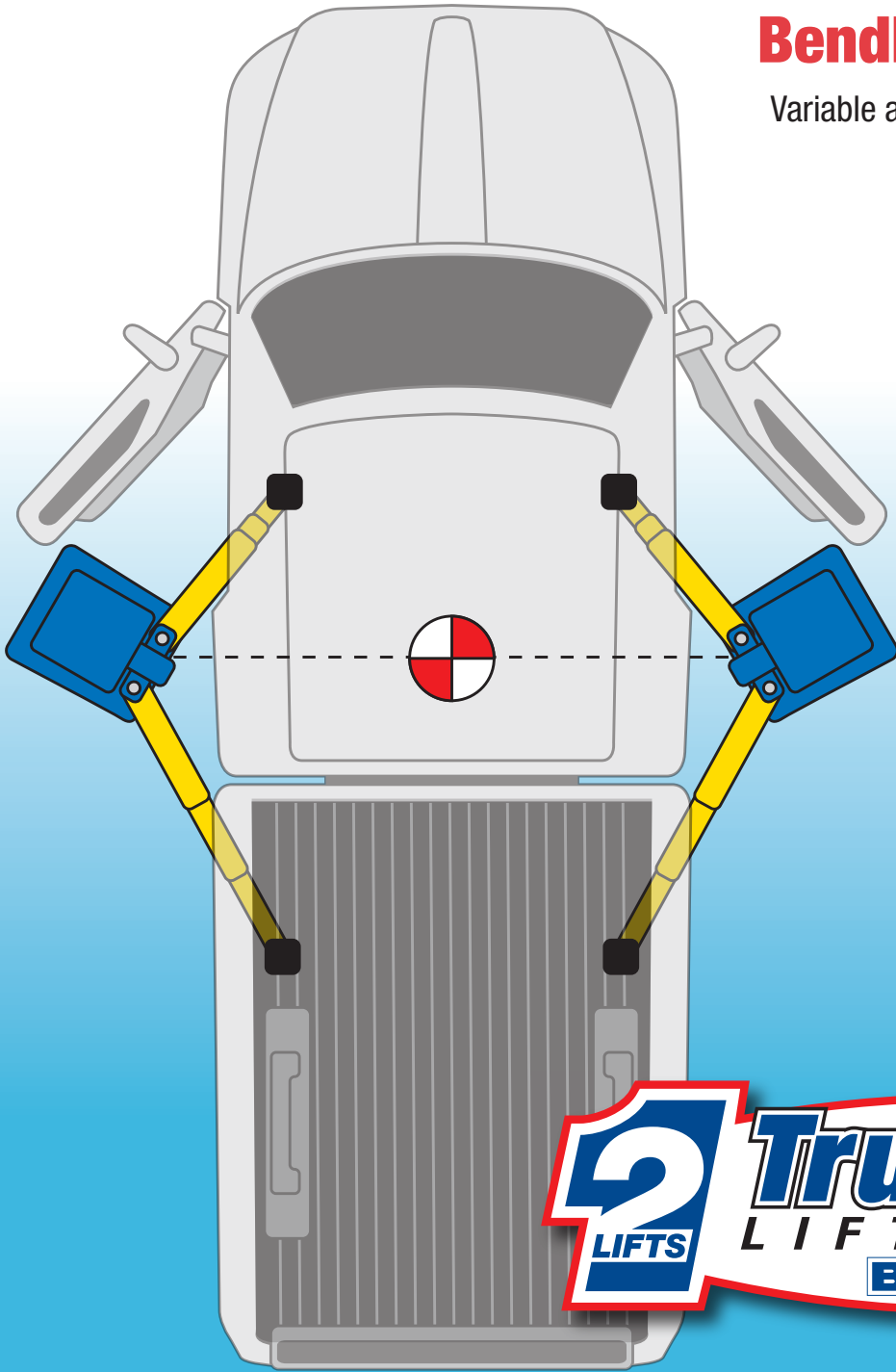


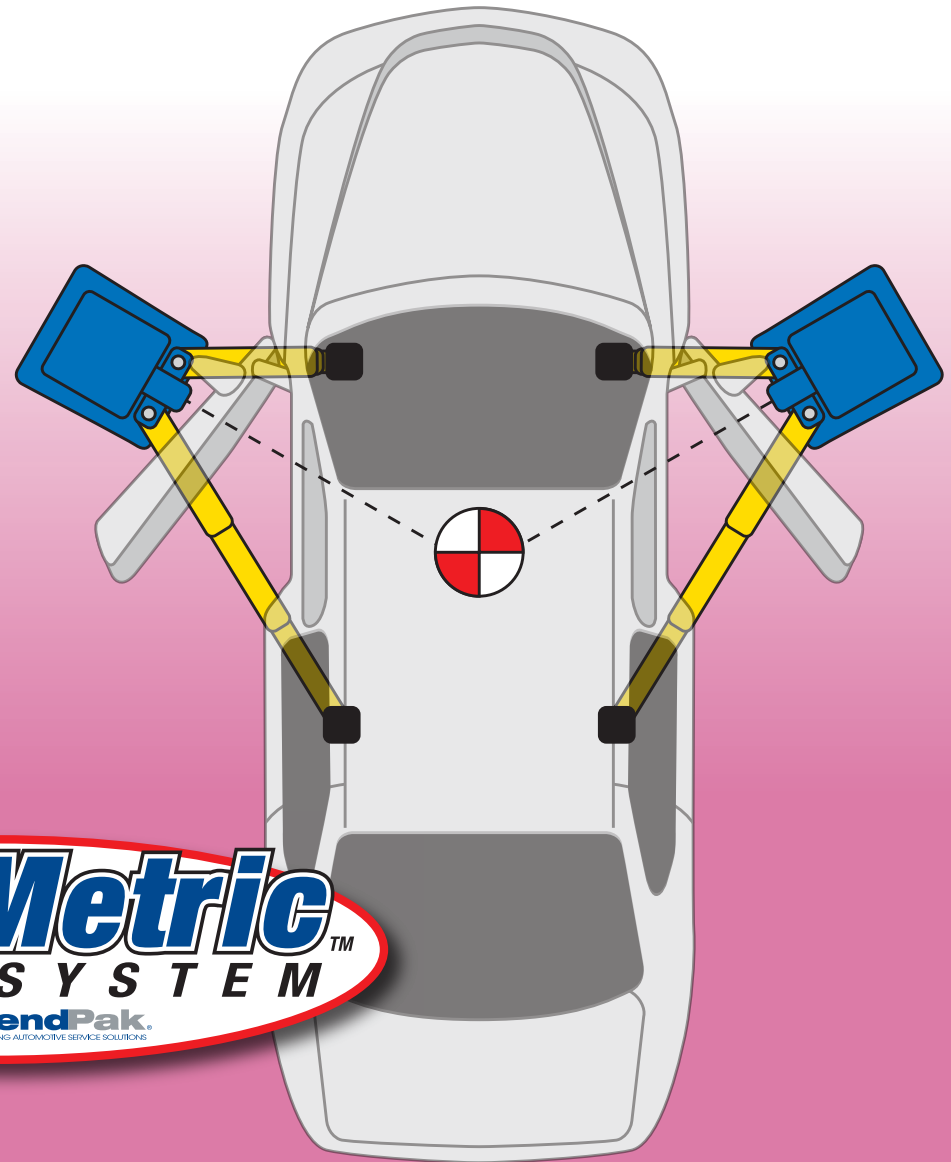
BendPak's Exclusive Tru-Metric™ Design...

Variable arm configurations for either symmetrical or asymmetrical configurations.
Offers greater versatility for greater service capabilities.

...Two Lifts in One.



Symmetric Vehicle Loading



Asymmetric Vehicle Loading

