

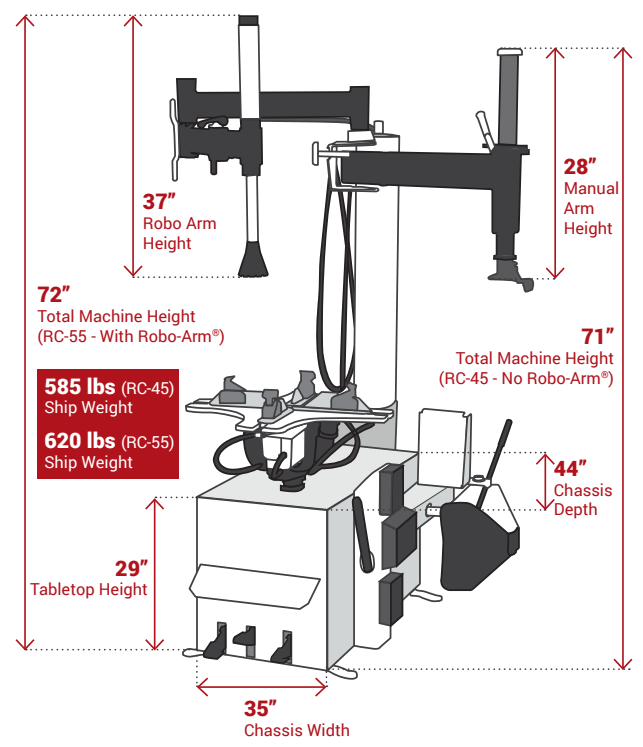


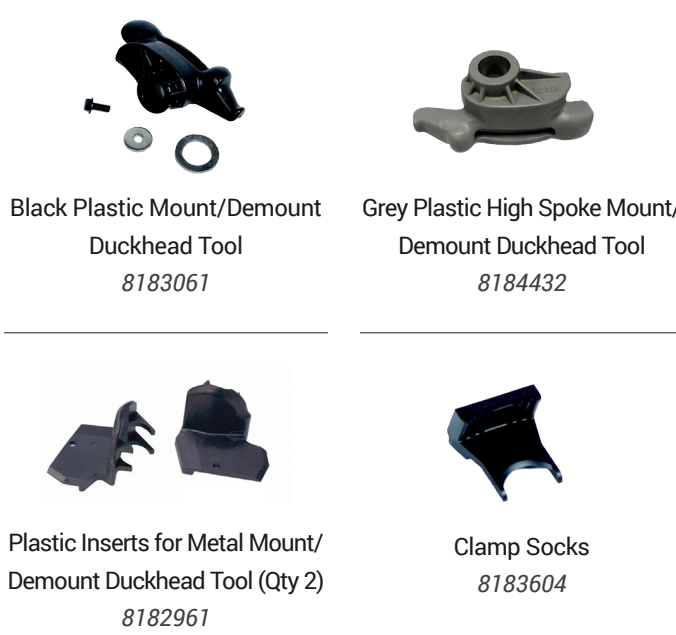
COATS® RC SERIES RIM CLAMP® TIRE CHANGERS

COATS® RC SERIES RIM CLAMP® TIRE CHANGERS SPECIFICATIONS			
Available Models	RC-45 		RC-55 
Assist Arms/ Tools	n/a		1 powered Robo-Arm®
Rim Diameter	10-21" External; 12-21" Internal		10-21" External; 12-21" Internal
Rim Width	10.5"		10.5"
Tire Diameter	50"		50"
Wheel Handled	Alloy & Steel for Car & Light Truck		Alloy & Steel for Car & Light Truck
Air Drive System	1.5HP Air Motor, 110-175psi, 15scfm (Air Model only)		1.5HP Air Motor, 110-175psi, 15scfm (Air Model only)
Electric Drive System	1HP Electric Motor, 110v, 60hz, 15amp (Electric Model only)		1HP Electric Motor, 110v, 60hz, 15amp (Electric Model only)
Wheel Clamping Method	4 Clamps, Air Cylinder Operated		4 Clamps, Air Cylinder Operated
Bead Loosening System	Foot Control; Up to 10.5" Wide		Foot Control; Up to 10.5" Wide
Bead Seating Air Volume	3.4 Gallons in Tower		3.4 Gallons in Tower
Inflation Gauge	60psi		60psi
Air Supply Gauge	0-300psi		0-300psi
Footprint	35" w x 44" d x 70" h		35" w x 44" d x 75" h
Ship Weight	585 lbs		620 lbs
Part Number	Air Model: 85609949 Electric Model: 8560994901	Air Model: 85609950 Electric Model: 8560995001	

EQUIPMENT FOOTPRINT



OPTIONAL ACCESSORIES



THE COATS® RC SERIES RIM CLAMP® TIRE CHANGERS

Reliable. Dependable. Durable. Built upon legendary Coats standards - Built to last.

The Coats® RC Series RC-55 and RC-45 Rim Clamp® Tire Changers are built upon the standards of the legendary Coats Rim Clamp® tire changer. The RC Series has been updated for the needs of today's high-speed, general service repair shop. With proven performance through decades of testing, the Coats Rim Clamp® tire changer will execute day after day, which your busy shop not only demands, but also deserves.

Coats tire changers are put to work day after day and continue to stand the test of time. These machines are capable of servicing up to 90% of OE wheels and OEM applications from 10" to 21" in diameter and up to 10" in width.

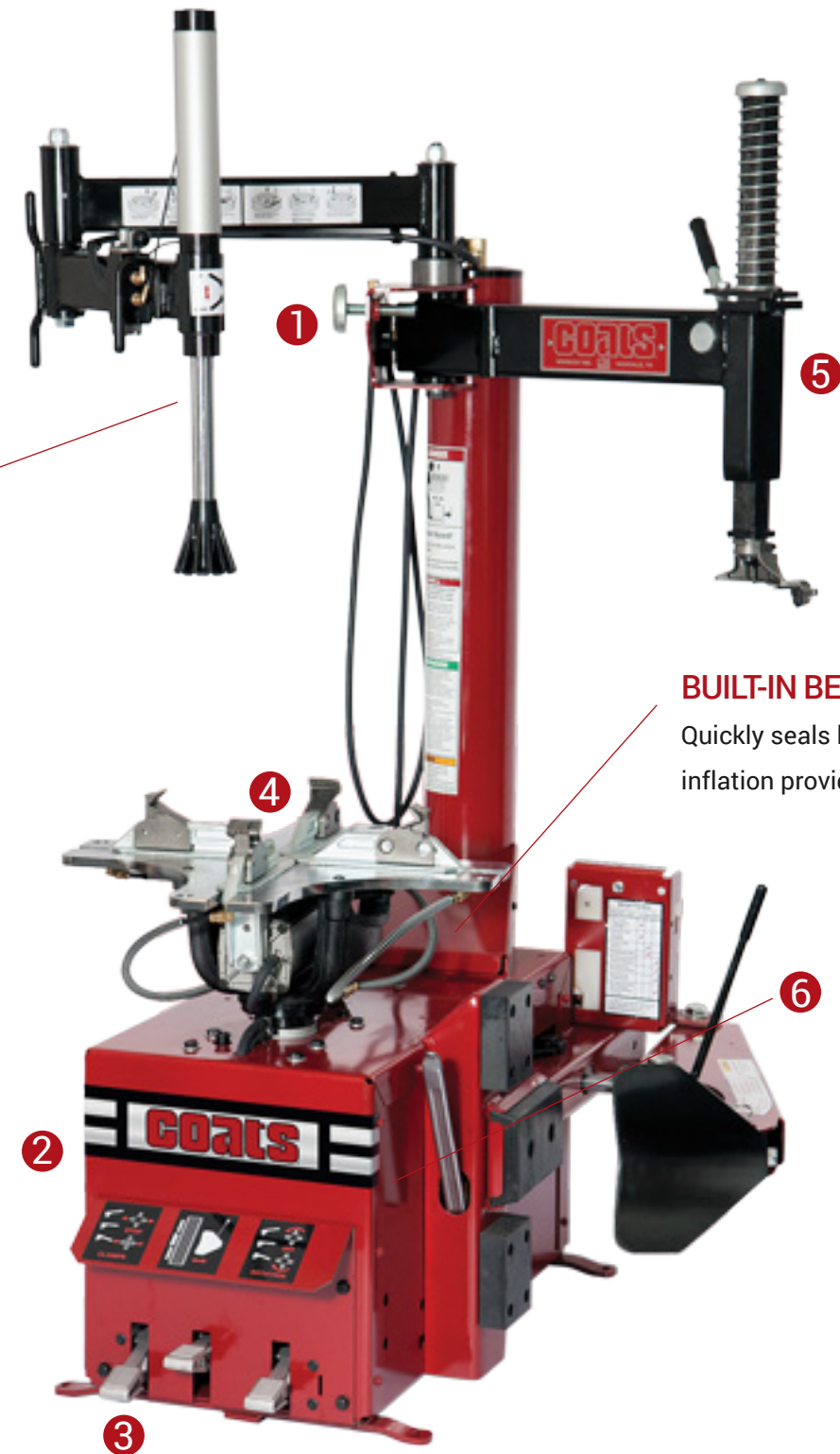
LEGENDARY COATS STANDARDS – BUILT TO LAST

Coats RC Series tire changers are built from strong, reliable components that offer more power and more longevity for everyday use.



RC ROBO-ARM® (RC-55 ONLY)

Allows technicians to efficiently change difficult wheel applications, such as low-profile wheels and run-flat tires.



BUILT-IN BEAD SEALING JETS

Quickly seals beads while tabletop inflation provides a faster workflow.

1 INFLATION GAUGE

Easy-to-read gauge accurately displays tire pressure and includes a damage resistant Lexan faceplate. You can easily inflate from 0 to 60 PSI, with a built-in pressure limiter, ensuring technician safety.

2 COMPACT CHASSIS

Fits easily into limited space applications with its small footprint.

3 CONVENIENTLY PLACED FOOT PETALS

Provide precise control over every step of the changing process. The pedals are ideally placed for fluid technician movements while mounting and demounting tires.

4 HIGH TORQUE X-SHAPED TURNTABLE (AIR OR ELECTRIC)

"X"-shaped for rigid perimeter support of the wheel. Pedal controlled for more careful tire mounting/dismounting or high volume.

5 MANUAL SWING ARM

Easily adjusted so that the Coats Duckhead® Mount/Demount Tool is properly fitted to the tire rim. This will reduce the risk of damage when mounting and demounting the tire.

6 POWERFUL 1 HP MOTOR

The air and electric drive system provides ample power. The air motor allows for advanced wheel control.

All Coats machines are backed by a factory authorized service network. This means that our work is not done when the machine is sold, it is just getting started. Our coverage includes factory installation and training of the machine, plus the availability to help with anything needed along the way to keep your shop running smoothly.

COATS FACTORY AUTHORIZED SERVICE NETWORK